

# CLOTHING range



## L SEALERS

## ELIZORA

Ideal for small spaces, this compact sealer can be placed on a work surface or fitted with a storage stand on wheels. It can be used to shrink-wrap stacks of linen, sheets, towels, clothes... up to 20 cm thick.

### Uses



Laundry



Dry cleaner



Garment manufacturing



Hotel trade

### ELIZORA 5060 to install



VIEW THE  
demo



### Slit film roll recommended



- Width 600 mm - 30μ perforated LDPE - ref. ARPG30-680096



- ✓ Compact workstation, easy to fit into small spaces and packed with essential features.
- ✓ Impulse welding: no heating time required, less power consumption, no risk of burns.
- ✓ Welding frame held in place by magnetic lock.
- ✓ Automatic opening of the frame at the end of the welding cycle (gas springs).
- ✓ Can be fitted with a storage stand on wheels (optional).



1 year warranty<sup>(1)</sup>

<sup>(1)</sup>Except wear parts



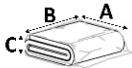
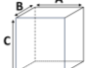

Compatible materials  
Bio-sourced or compostable



Compliance with  
CE standards

# CLOTHING range

## TECHNICAL DATA

MODELS			
<b>ELIZORA 5060</b> to install	50 x 60 x 20 cm (max)	84 x 69 x 38 cm	50 kg
<b>ELIZORA 5060</b> with stand	50 x 60 x 20 cm (max)	84 x 69 x 86 cm	75 kg



600 mm (max)



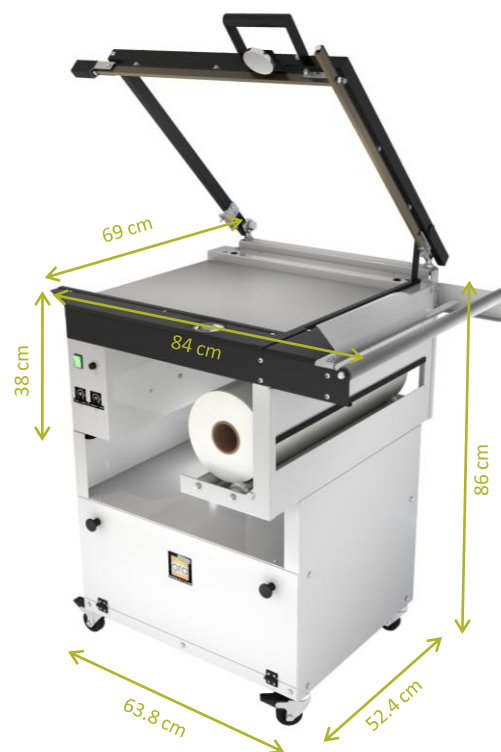
830 W



230 V - 50/60 Hz



Ø 220 mm (max)



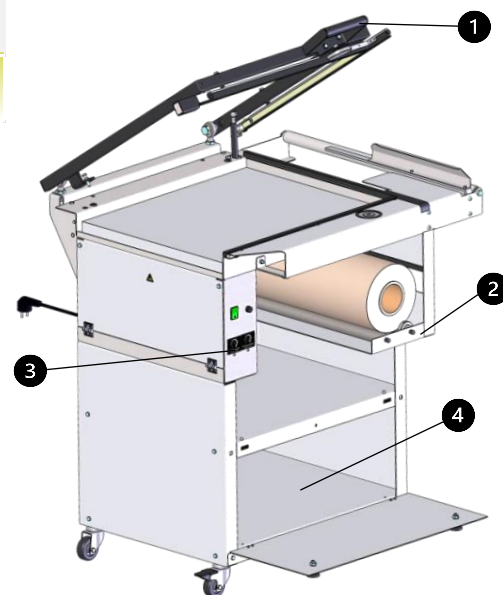
## EQUIPMENT

N°	DESCRIPTION	ELIZORA 5060
1	Manual frame closure	✓
2	Roll holder	✓
3	Potentiometers (for setting sealing time and temperature)	✓
4	Storage stand on wheels	<b>option</b> ref. PIEDELI5060

## STORAGE UNIT OPTION

- ✓ Space-saving: for storing accessories, consumables, ...
- ✓ Man-height workstation to reduce the risk of MSD<sup>(2)</sup>.
- ✓ Fitted with a hinged front door.
- ✓ Mobile: easy to move thanks to its 4 wheels swivelling at 360° (2 with brakes).

<sup>(2)</sup> MusculoSkeletal disorders



Need more information?



Contact the sales department: +33 (0)4 74 00 59 54