

Impuls sealer Pack 380 IMP



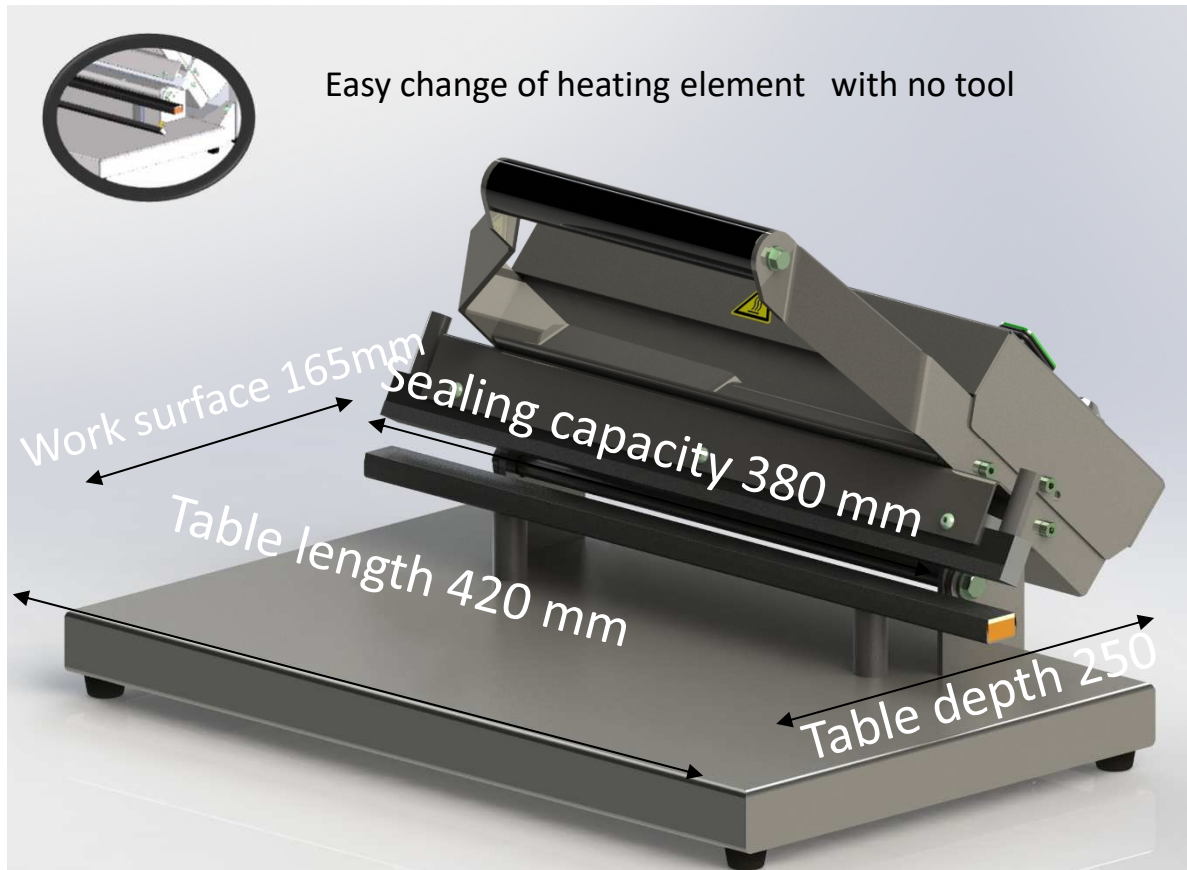
*Heated
only when in use
No permanent hot parts*

**Adapt for use
in humid
environment
Paper and bag
sealer**

Impuls sealer Pack 380 IMP

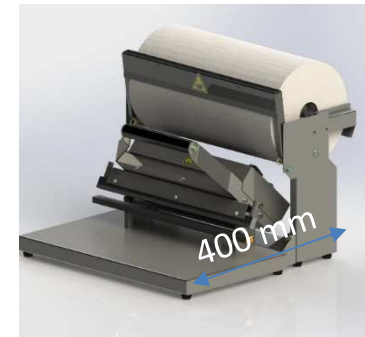
stainless steel

adapt for use in humid environment



Led indicator to control the sealing time

Sealing power adaptable to different material
PP PE Thermosealable paper



Option roll dispenser
Reference : PFA303-E537



Option Table
Reference : PFA300-00E356

General Characteristics CE marked

Supply 230 V / 50 Hertz mono power 120 VA
Consumption only as in use if 60 per hour 12 Watts
Length of sealing 380 mm x 2 mm
Weight 6,5 kg size 420 x 250 mm